

* Anchorage Eyelet shall be attached so that it is capable of supporting a dead weight load of 5400 lbs (2400 kN)

△ Anchorage Eyelet shall be stainless steel or shall be galvanized to the requirements of ASTM A153, ASTM F2329, or ASTM B695 Class 50 Type 1.

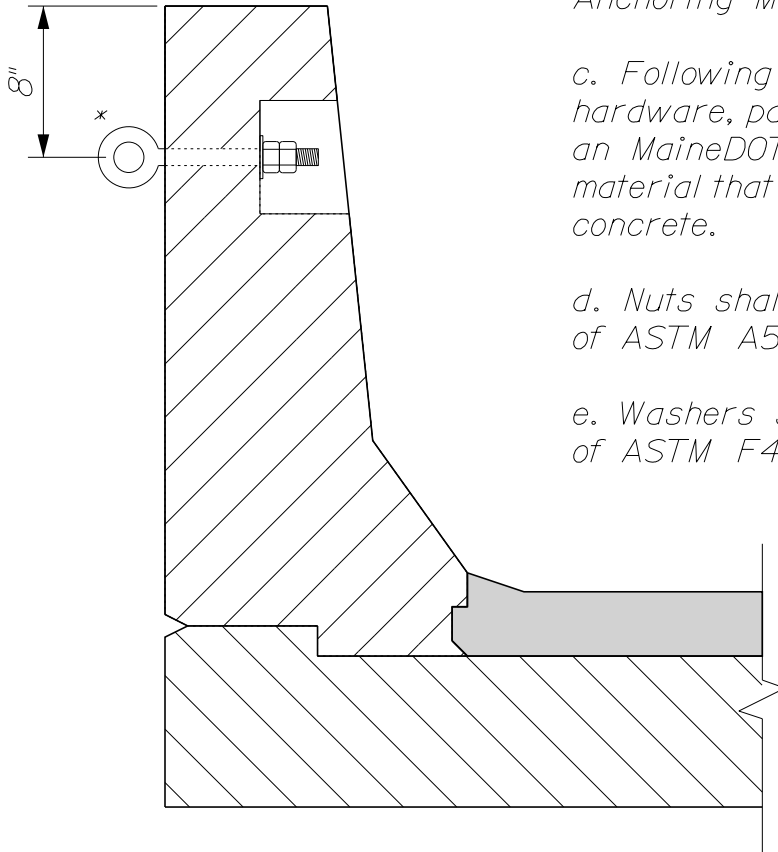
a. Block-out opening is 6" high by 6" wide.

b. Drill hole for eyelet shank $\frac{1}{4}$ " larger than shank diameter and fill void with grout selected from MaineDOT Prequalified List of Anchoring Material

c. Following installation of eyelet hardware, patch block-out with an MaineDOT approved patching material that matches the barrier concrete.

d. Nuts shall meet the requirements of ASTM A563.

e. Washers shall meet the requirements of ASTM F436.



~ ANCHORAGE EYELET DETAIL ~

ITEM NO. 645.13

OVERPASS MOUNTED SIGN SUPPORT
HIGHWAY SIGNING